



**City of Colonial Heights  
City Council**

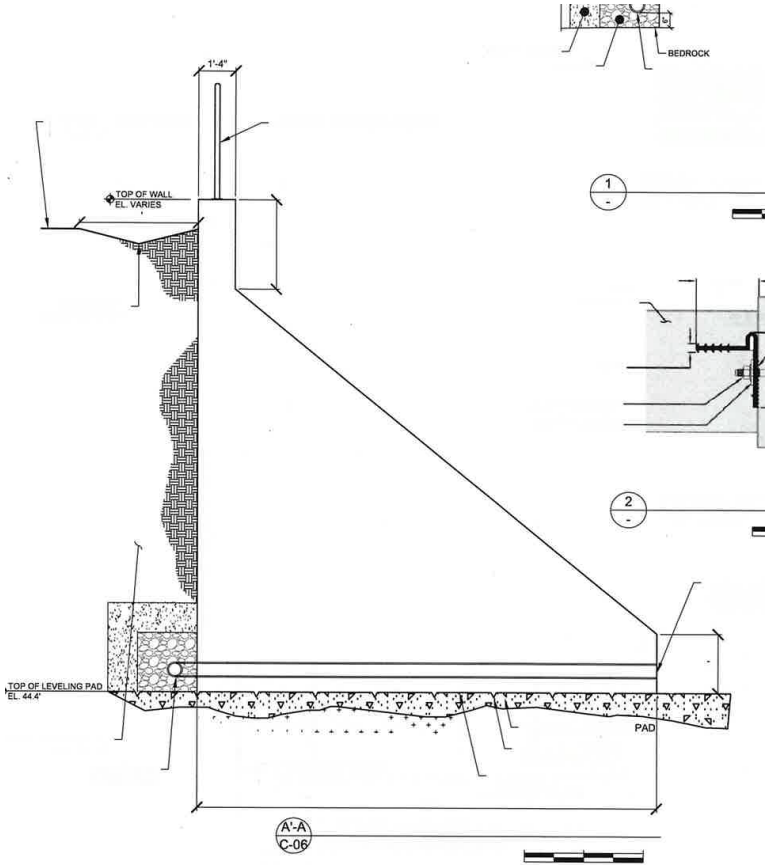
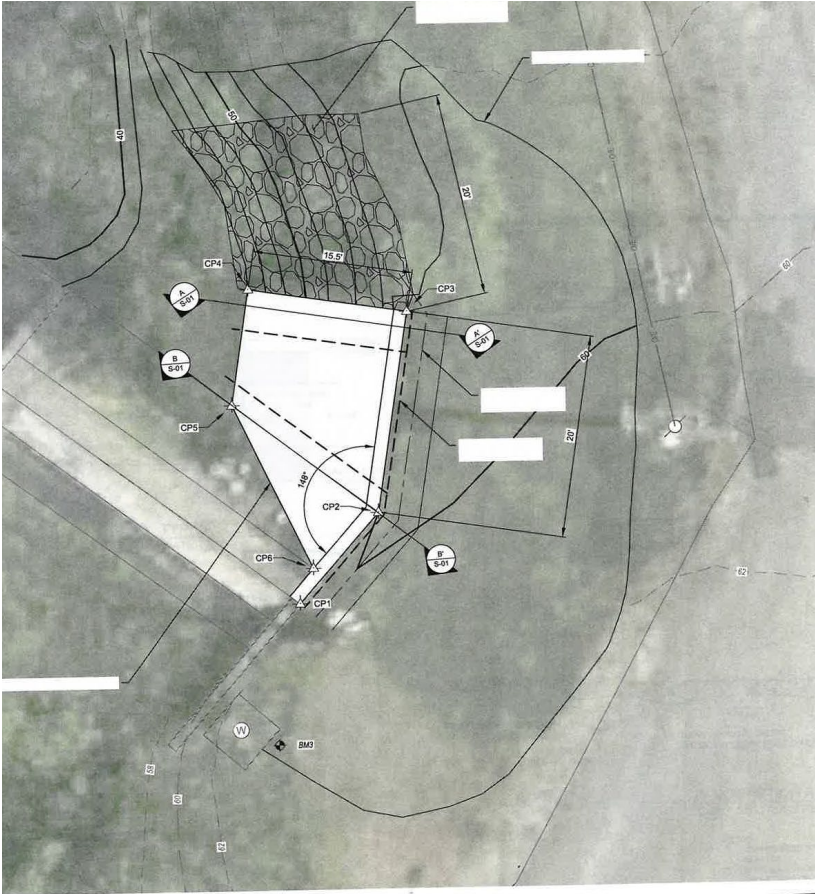
**Lakeview Dam Updates**

**February 15, 2022**

# Highlights

- Lakeview Dam Improvements
- Documents requirement by FERC
- Addressing Inflow Design Flood (IDF)

# Lakeview Dam Improvements



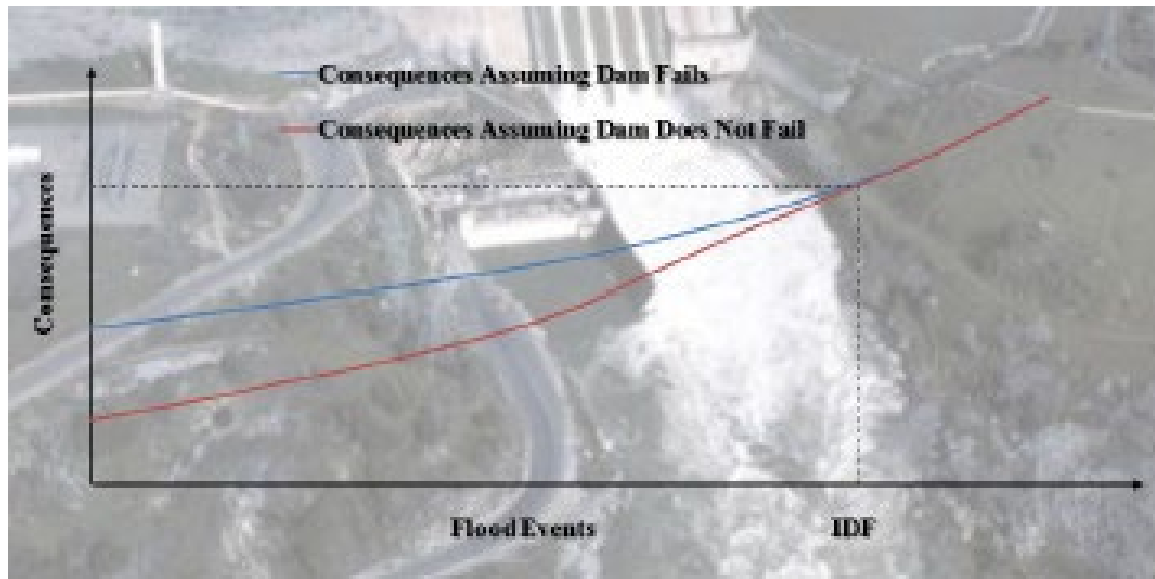




# FERC Documents

- Owner's Dam Safety Plan (ODSP)
- Dam Safety Surveillance and Monitoring Plan (DSSMP)
- Emergency Action Plan (EAP)
- Potential Failure Mode Analysis (PFMA)
- Supporting Technical Information Document (STID)

# FERC IDF requirement



Source: S. Lin (FERC)

# IDF Requirement

<b>Hazard Potential Classification</b>	<b>Definition of Hazard Potential Classification</b>	<b>Inflow Design Flood (IDF)</b>
<b>High</b>	<b>Probable loss of life due to dam failure</b>	<b>Probable Maximum Flood (PMF)</b>
Significant	No probable loss of life but can cause economic loss	1,000 Year Flood
Low	No probable loss of life and low economic loss	100 Year Flood

Source: S.Lin (FERC)

# Next Steps

- Put construction drawings out for bid.
- Work with FERC and KEI to update all required documents.
- Put out an RFP to procure professional services to address IDF.